

Pre-Feeder by AIM

AUTOMATION IN CNC BENDING

FORMING OUR FUTURE WITH YOURS

www.AIMMACHINES.COM

ACCIFORM Pre-Feeder by AIM

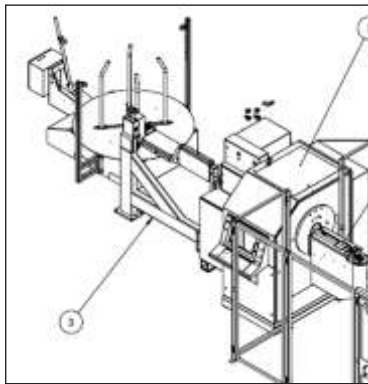


An electrical pre-feeder option to minimize the effort needed to load wire to the CNC Benders.

Features:

- Remote pendant for forward and reverse
- Heavy frame construction
- Removable roller with a switch for safe operation after the wire is fed

Our Pre-Feder is standard on our 14mm and 16 mm machines and optional for the rest.



For more information, please email us at sales@AIMmachines.com

For online videos visit: www.youtube.com/wirebenders

Automated Industrial Machinery, Inc. ©2023
The Manufacturer Reserves the right to alter any data and/or photos provided in this brochure without notice.

FORMING OUR FUTURE WITH YOURS

AIM, Inc.
14103 McCormick Drive,
Tampa, FL 33626
U.S.A.
Tel: +1 813.818.8222
sales@aimmachines.com
Skype id: aimincusa

AIM, Inc.
502 S. Vista Avenue
Addison, IL 60101-4423
U.S.A.
Tel: +1 630.458.0008
sales@aimmachines.com
Skype id: aimincusa

AIM Europe S.A.
Kapetan Korela 16
Nea Kifissia, Attiki 14564
GREECE
Phone: +30.21300.58004
sales@aimeuropesa.com
Skype id: aimeuropesa

WWW.AIMMACHINES.COM

